



EXPERIENCE THE LEGEND

2026 Competition Rules

Revised 5.18.2026



Changes for 2026 highlighted in green

Table of Contents

Qualifying Event Meter Set	5
Event Judge Contact Info	5
Event Description	5
Penalties	5
Supplied Parts & Tools.....	6
Event Diagram(s)	6
Event Photo(s).....	8
Qualifying Event Service Install	9
Event Judge Contact Info	9
Event Description	9
Penalties	9
Supplied Parts & Tools.....	10
Event Diagram(s)	11
Event Photo(s).....	12
Qualifying Event Pipe Cut	13
Event Judge Contact Info	13
Event Description	13
Penalties	13
Supplied Parts & Tools.....	14
Event Diagram(s)	14
Event Photo(s).....	14
Qualifying Event Hand Dig	15
Event Judge Contact Info	15
Event Description	15
Penalties	15
Supplied Parts & Tools.....	16
Event Diagram(s)	16
Event Photo(s).....	16
Relay Overview	17
Event Judge Contact Info	17
Event Description	17



Relay Station 1 Truck and Trailer Back-Up	18
Event Judge Contact Info	18
Event Description	18
Penalties	18
Event Diagram(s)	18
Event Photo(s).....	19
Relay Station 2 Backhoe Event: Blind Egg Pick Up.....	20
Event Judge Contact Info	20
Event Description	20
Penalties	20
Event Diagram(s)	21
Event Photo(s).....	22
Relay Station 3 Pipe Squeeze (Four-Person Teams Only)	23
Event Judge Contact Info	23
Event Description	23
Penalties	23
Event Diagram(s)	24
Event Photo(s).....	24
Relay Station 4 Mini Excavator: Drop in the Bucket	25
Event Judge Contact Info	25
Event Description	25
Penalties	26
Event Diagram(s)	27
Event Photo(s).....	27
Relay Station 5 Regulator Bypass.....	28
Event Judge Contact Info	28
Event Description	28
Penalties	28
Event Diagram(s)	29
Event Photo(s).....	29
Relay Station 6 Water Cooler	30
Event Judge Contact Info	30
Event Description	30



NATIONAL
GAS RODEO
POWERED BY MEA

Penalties 30

Event Photo(s)..... 30

General Information 30

Two-person Teams..... 31

All Teams 31



Qualifying Event | Meter Set

Event Judge Contact Info

Carlos Deleon | 720.323.8233

Brian Biehl | 417.207.5841 [backup Event Judge]

rodeo@MEAenergy.org

Event Description

An assortment of fittings, service regulator, meter and meter gaskets will be available in a tote box. There will be extra fittings in the box that will not be needed. Pipe dope is not required. The meter set must be finger tight and set to National Gas Rodeo standards. The 'judge's box' will be used to determine if the meter set is built within standards. Full-finger safety gloves (not nitrile or latex) are required for this event. Meter set may require physical alignment. Teams will not be allowed to rearrange fittings or touch the tote box prior to the start of the event.

Prior to the start of the event, the Team Captain shall visually verify that all components (fittings and parts) are in the tote box (approximate tote box dimensions are 22 ½" length x 19" width x 15" height). Once verified, the Team Captain will initial score sheet acknowledging verification. The meter set board and components will be located in the center of each lane; team members will start in center of lane board / components. Full-finger safety gloves (not nitrile or latex) must be worn.

An approximate 1" x 15" nipple is used in place of the previously used flex hose. The ¾" stopcock will remain in the off position throughout the event.

Event is finished when designated person (wearing wristband) raises one or both hands. If the event is not completed, the team will receive the slowest time plus 20 seconds as their score.

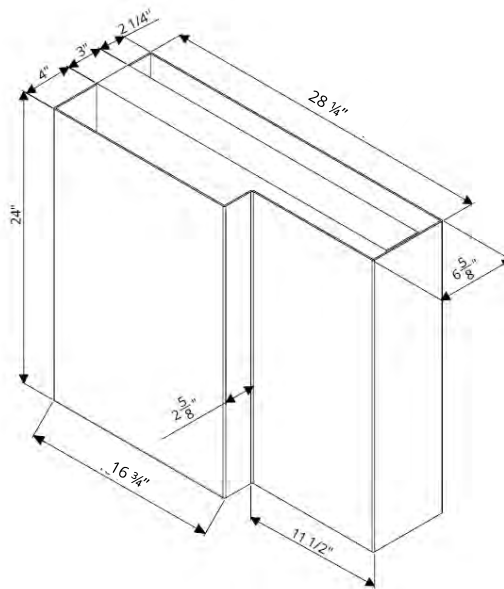
Penalties

There will be a 10-second penalty per infraction (except where noted) for any of the following:

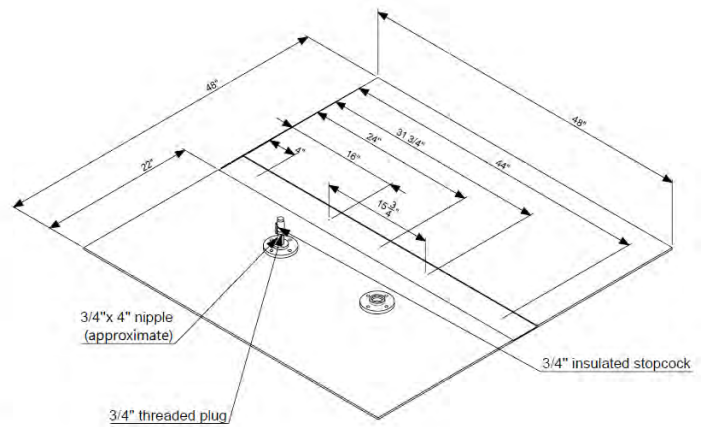
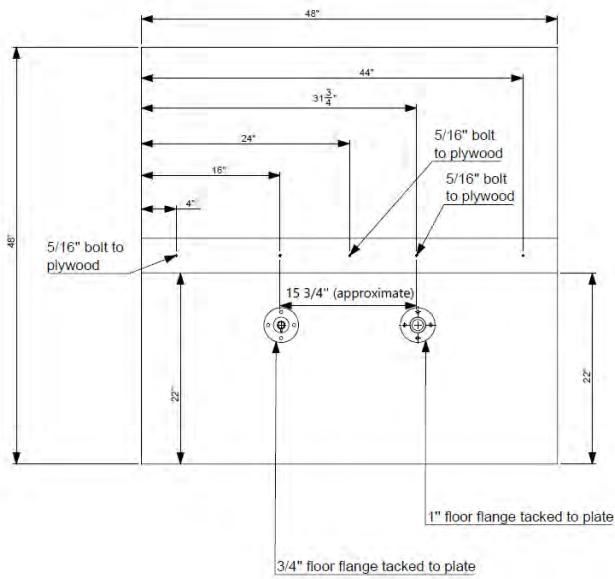
- No hard hat or if a hard hat falls off
 - No full-finger safety gloves (per person) or the use of nitrile or latex gloves
 - No eye protection or eye protection falls off
 - Loose fittings
 - Missing gaskets or gaskets not properly installed
 - Not built to Rodeo standards (judge's box and diagram will be used to determine) (20-second penalty)
 - Team member touches meter set components before starting whistle
 - Team member touches meter set components after completion of event
 - Throwing items or tools
 - Event not completed (slowest time + 20 second penalty)
- Completion of this event is defined as each step being attempted.*



Judge's Box



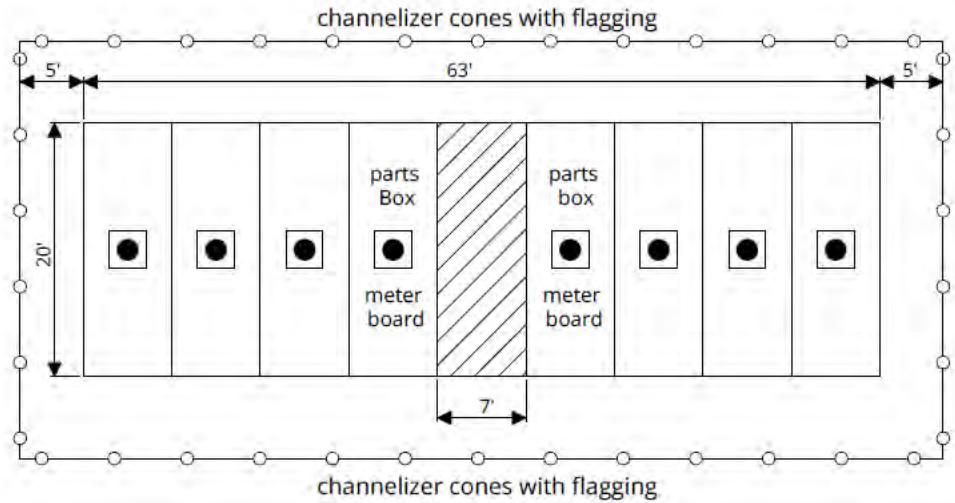
Steel Meter Plate





Field Set-Up for Meter Set

** might want to compress layout for future years if space is an issue



Event Photo(s)



Competition Field



Parts for Meter Set



Qualifying Event | Service Install

Event Judge Contact Info

Mike Nussbaum | 719.491.1972

Harry Mitchell | 559.770.1900 [backup Event Judge]

rodeo@MEAenergy.org

Event Description

In this event, the team will install a service line with tracer wire from the 2" plastic main to the service riser bracket. This event will consist of 55' of ½" plastic polyethylene pipe, approximately 60' of solid 12-gauge tracer wire, (1) Honeywell PMTT, 2" x ½" CTS-.090 2.0, (1) ½" permasert coupling, ¾" x ½" cts anodeless gas riser, tools to install service, and 20' of 2" plastic pipe for insertion (staked down).

The team will lay out 55' of ½" plastic pipe along with tracer wire in one continuous piece, insert the ½" plastic pipe and tracer wire through the 20' section of 2" plastic pipe (staked down), attach riser to bracket and connect pipe to riser with ½" permasert, connect pipe to bolt on tee. Once all components are installed above grade according to the National Gas Rodeo standards, the service tee is tapped, the service cap is installed, and the service pipe is purged. The service Install is finished and time stops when the riser valve is opened. Full-finger safety gloves (not nitrile or latex) must be worn.

The tracer wire may be prepared to the team's desire (must stay within the designated area) and must be touching the service box. No spools will be used in this event. Teams are not allowed to rearrange the box prior to the event. Competitors may start anywhere inside their lane. Parts start in the center of each lane.

Penalties

There will be a 10-second penalty per infraction (except where noted) for any of the following:

- No hard hat or if hard hat falls off
- No full-finger safety gloves (per person) or the use of nitrile or latex gloves
- No eye protection or eye protection falls off
- Throwing tools or materials
- Service pipe not chamfered at coupling, riser, and service tee installation
- Pipe not fully inserted into permasert
- Stab depth mark not visible on pipe or more than ¼" from end of fittings
- Stab depth marked on pipe after the installation of coupling or service stub
- Stab depth mark not circumferential
- Stab depth not measured with chamfer tool prior to installation
- Plastic bolt on service tee not tightened or stripped with corners not touching (10-second penalty per bolt)
- Service tee cap cross threaded
- Service tee cap not touching stop
- Cutter not flush with top of tee
- Tapping service tee without using plastic depth gauge
- Cutter not fully penetrating main (the locking ring must be visible)
- Pinching of the wire at the cap, service tee or riser bracket
- Wire not wrapped 2 times around the chimney of tapping tee
- Wire wrapped around the outlet/stub of the tapping tee



- Wire not wrapped 2 times around riser
- Wire not going through riser bracket
- Wire not in one continuous piece from tapping tee to riser
- Per bolt not wrench-tight on riser bracket
- Per kink in pipe
- Cutter cannot be advanced before service and riser are complete; does not include wire
- Team member touches install after completion of event
- Cannot install tapping tool into cutter before service riser is complete; does not include wire (20 second penalty)
- Event not completed (slowest time + 20 second penalty)
Completion of this event is defined as each step being attempted.

There will be a 30-second penalty per infraction (except where noted) for any of the following:

- ½" service pipe not inserted through 2" plastic pipe
- ½" tracer wire not inserted through 2" plastic pipe

Supplied Parts & Tools

Materials

- (1) 2" IPS PE pipe at 30 PSIG
- (1) 60' of solid 12-gauge tracer wire
- (1) 55' of ½" CTS PE pipe
- (1) Permasert mechanical couplings
(Honeywell Perfection PC50100R / 2.0 permasert mechanical coupling, ½" CTS .090")
- (1) 20' of 2" PLC pipe for insertion
- (1) ¾" service valve
- (1) 9" foundation bracket for ¾"-2"IPS risers
(Honeywell Perfection 74491 / 9" foundation bracket for ¾"-2"IPS risers w/hardware)
- (1) Honeywell PMTT, 2" x ½" CTS-.090 2.0

Tools

- (1) ½" drive flat ratchet (Craftsman)
- (1) 9/16" standard socket (not deep well)
- (1) Sharpie (small, black)
- (1) ½" champfer tool
(Honeywell Perfection 58500 / champfer tool, ½" CTS ID/OD DPTH GA 2.0)
- (1) 10" crescent wrench
- (1) 5/16" hex wrench

Additional Materials for Practice (if desired)

- PC50100CLR / clear coupling, ½" CTS-.090 2.0 w/no teeth
- 55225 / snippers ½" to 1 ¼" CTS PE
- Rodeo riser / ¾" x ½" CTS, 60" PE tail

- The measurement from ground to center of the riser bracket is approximately 26"

2026 Material List

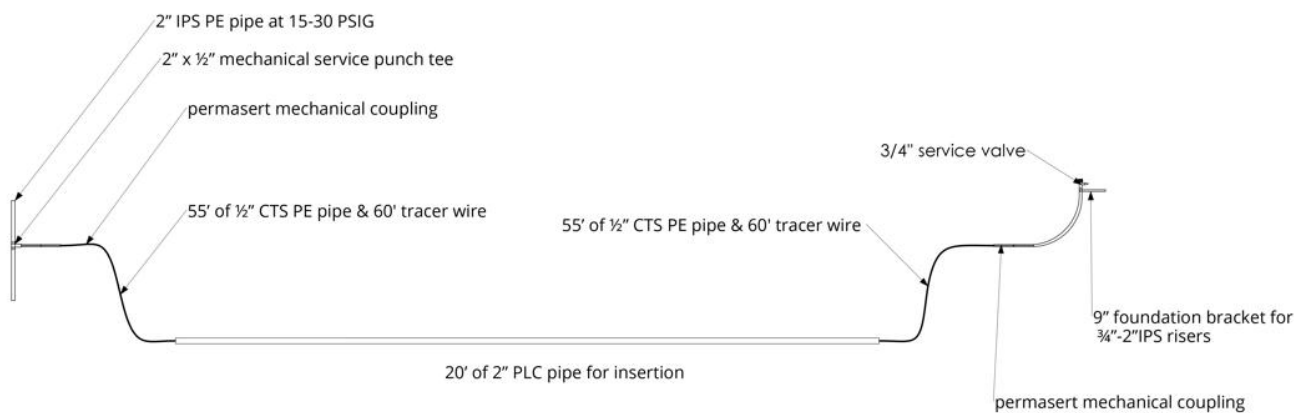
Honeywell Part #	Description	Lead Time
PL55702	PMTT, 2" x ½" CTS-.090 2.0	6 weeks ARO
PC50100	2.0 Permasert mechanical coupling, ½" CTS .090")	6 weeks ARO
58500	Chamfer tool, ½" CTS ID/OD DPTH GA 2.0	2 weeks ARO
PC50100CLR	clear coupling, ½" CTS-.090 2.0 w/no teeth	4 weeks ARO
53778550	extra PMTT cutter	2 weeks ARO
55685	5/16" hex wrench	2 weeks ARO
55225	snippers ½" to 1 ¼" CTS PE	2 weeks ARO
Rodeo Riser	Rodeo riser / ¾" x ½" CTS, 60" PE tail	14 weeks ARO
74491	9" foundation bracket for ¾"-2"IPS risers w/hardware	4 weeks ARO

MEA and the National Gas Rodeo partner with **Honeywell Perfection** for easy ordering of parts. To order practice materials, please contact the authorized Honeywell Channel Partner, **KGM Gas**, below. Please note KGM does carry Perfection inventory, but teams should be aware of current lead times noted above for availability of practice materials.

KGM Gas
Travis Clark
Inside Sales
(502) 437-2080
tclark@kgmgas.com

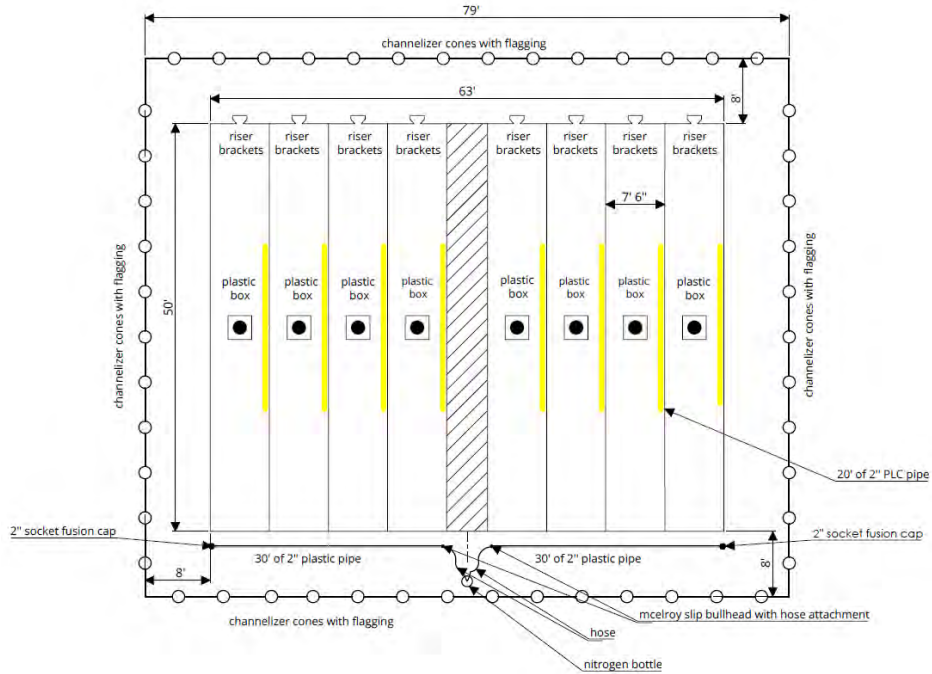
Event Diagram(s)

Service Install Insertion

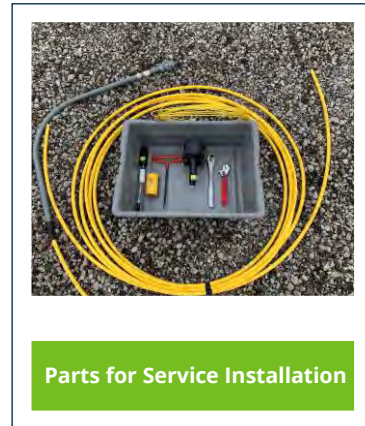
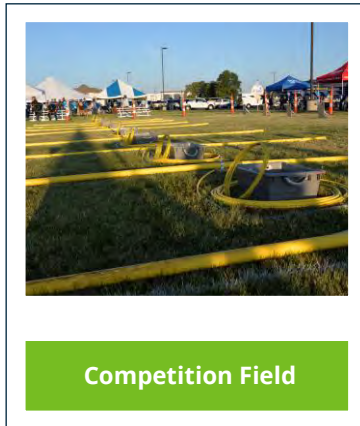
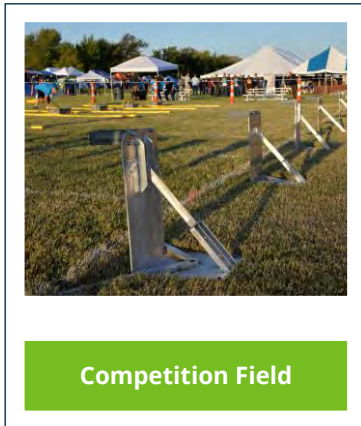




Field Set-Up for Service Install



Event Photo(s)





Qualifying Event | Pipe Cut

Event Judge Contact Info

Lorenzo Longoria | 720.908.0190

Tyler Millburg | 217.825.3164 [backup Event Judge]

rodeo@MEAenergy.org

Event Description

Competitors will attempt to cut a 4-inch length coupon from a piece of 6-inch .250 Grade B wall pipe. Competitors will cut the pipe by using only a stock mechanical 4-wheel cutter. Full-finger safety gloves (not nitrile or latex) must be worn. Teams must provide and use their own Reed (HS8-12) or Ridgid (part #44185 model #E1032) stock / non-modified cutter wheels on the mechanical cutters (this includes the Rodeo supplied cutter). Cutters will be in the closed position prior to the start of event, and teams must have wheels loaded. The judges will measure the top of the coupon along the marked line and the team will receive a 10-second penalty for each ¼" the coupon is under or over 4 inches. Teams will not be allowed to use any measuring device. The event is over when the coupon hits the ground.

If the cutter wheels are broken and the team cannot complete the event, the team will be given the slowest team time plus 10 seconds as their score. If the pipe cutters are damaged or broken the team will receive the slowest team time plus 30 seconds as their score. If a rodeo supplied cutter is damaged, the team will need to replace or repair the damaged cutters.

Pipe will be squared off prior to start of each event, at discretion of Event Judge. Damaged ends of unsquared cuts to be repaired by the team at the end of their event.

Teams may not mark pipe prior to cut.

Cutters must be stock/non-modified, single handle, 6-inch to 8-inch Reed or Ridgid brand cutters. Teams must bring their own Reed (HS8-12 and 03508) or Ridgid (468-S and 44185 or E1032) stock/non-modified cutter and wheels. The NGR will provide Reed or Ridgid cutters if you do not wish to bring your own; teams must still provide own stock/non-modified cutter wheels. Teams must start and finish with the same set of cutters and wheels.

Must start and finish with the same cutter.

Any modifications to cutters or wheels will result in team disqualification from the National Gas Rodeo competition. Cutters and wheels must be "out of the box" condition. Modifications that are **not allowed** include but are not limited to: added grip/friction tape on handles, added grease, added or modified grips. Questions should be addressed at the walkthrough to avoid penalties. **Cutters and wheels will be inspected before the start of the event and are subject to inspection by the Rodeo Committee at any time during the event. Teams may be required to swap out their wheels with wheels supplied by the National Gas Rodeo at the judge's discretion.**

Penalties

There will be a 10-second penalty per infraction (except where noted) for any of the following:

- No hard hat or if hard hat falls off



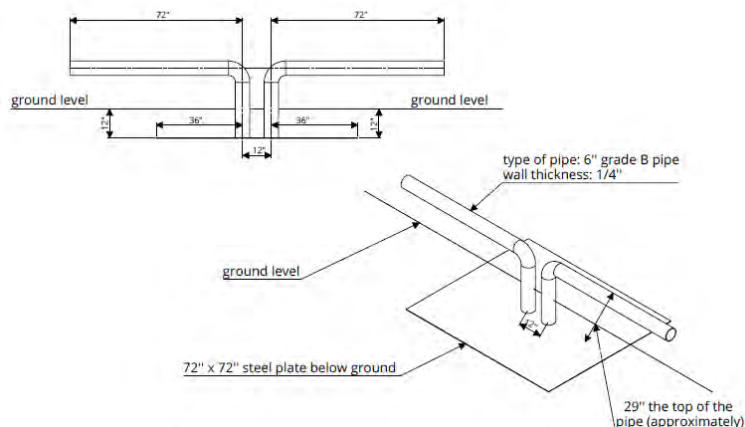
- No full-finger safety gloves (per person) or the use of nitrile or latex gloves
 - No eye protection or eye protection falls off
 - Cutter handled by the team prior to the whistle
 - Any modification including the addition of lubricant (the infraction must be corrected before the competition)
 - Measurement needs to be taken off the top of the pipe, 4" +/- 1/4" – 10 seconds per 1/4"
 - Event not completed (slowest time + 20 second penalty)
- Completion of this event is defined as the coupon hitting the ground.*

Supplied Parts & Tools

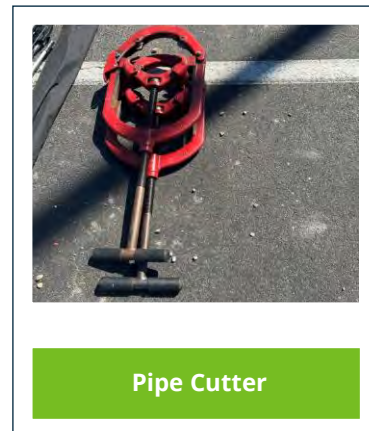
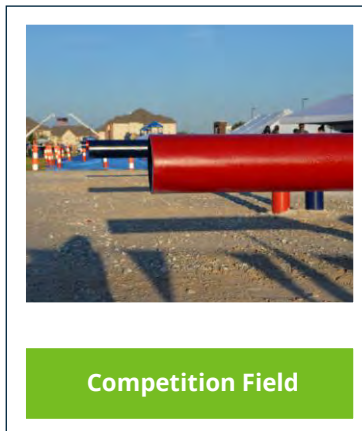
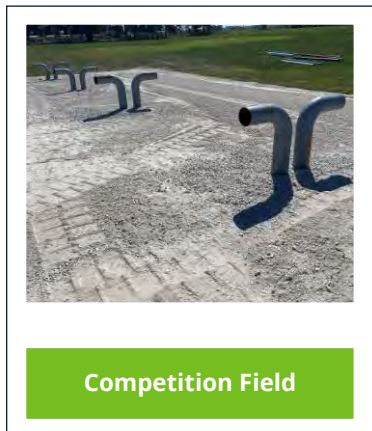
- (1) 6" steel Grade B with wall thickness .250"
- Cutters must be stock/non-modified, single handle, 6-inch to 8-inch Reed or Ridgid brand cutters. Teams must bring their own Reed (HS8-12 and 03508) or Ridgid (468-S and 44185 or E1032) stock/non-modified cutter and wheels. The Rodeo will provide Reed or Ridgid cutters if you do not wish to bring your own; teams must still provide own stock/non-modified cutter wheels.

Event Diagram(s)

Top of pipe to ground: 29" (approximately)



Event Photo(s)





Qualifying Event | Hand Dig

Event Judge Contact Info

Cole Taggart | 785.458.9722

Chris Harris | 202.765.6145 [backup Event Judge]

rodeo@MEAenergy.org

Event Description

There are five 4-inch green dots in the box, one in each corner and one in the center. A portion of each dot must be exposed. Teams will be allowed up to 5 minutes to empty the box. A mix of sand and pea gravel will be used. The gravel is called creek gravel or pea gravel. It is listed as $\frac{3}{8}$ " creek gravel, but it is more like $\frac{1}{4}$ " creek gravel. The sand is ordinary masonry sand and the mix is approximately 50/50.

All participants must be out of the box with the designated person (wearing wristband) hands raised to signal completion of the event. Any team members' body parts that are across the top plane of the box when team member with wrist band raises hands signaling the competition of the event will be assessed 10 seconds. Full-finger safety gloves (not latex or nitrile) must be worn. Shovels left in the box that prevent any dots from being exposed will be counted as an uncovered dot. Judges will not move shovels to see dots. Upon completion of this event, teams will be required to backfill the box with assistance from the ground crew.

Must start and finish with the same shovel. Recommended to not use wooden handle shovels as they tend to break.

Hand Dig Event for Two-person Teams

Two-person teams will compete in the Hand Dig event utilizing a modified dig box. The two-person dig box is the same as that used for the four-person team competition except that the box is only 18" deep. All other rules and event descriptions remain the same.

NOTE: Two-person and four-person teams may bring their own shovels for this event. Shovels may be customized.

Penalties

There will be a 10-second penalty per infraction (except where noted) for any of the following:

- No hard hat or hard hat falls off
- No full-finger safety gloves (per person) or the use of nitrile or latex gloves
- No eye protection or eye protection falls off
- Shovel in box and/or ground before whistle blows (per shovel)
- Any excavation of dig box prior to the event start
- Team members' body part that is below or across the top plane of the dig box when the person with the wrist band raises their hand
- There will be a 20-second penalty for each dot that is not exposed and if any effort is made to uncover a dot after wristband hand has been raised signaling completion of the event
- There will be a 6-minute and 40-second penalty for any team that fails to complete the event (penalty = 5 minutes allotted time plus 20 seconds per dot not exposed)



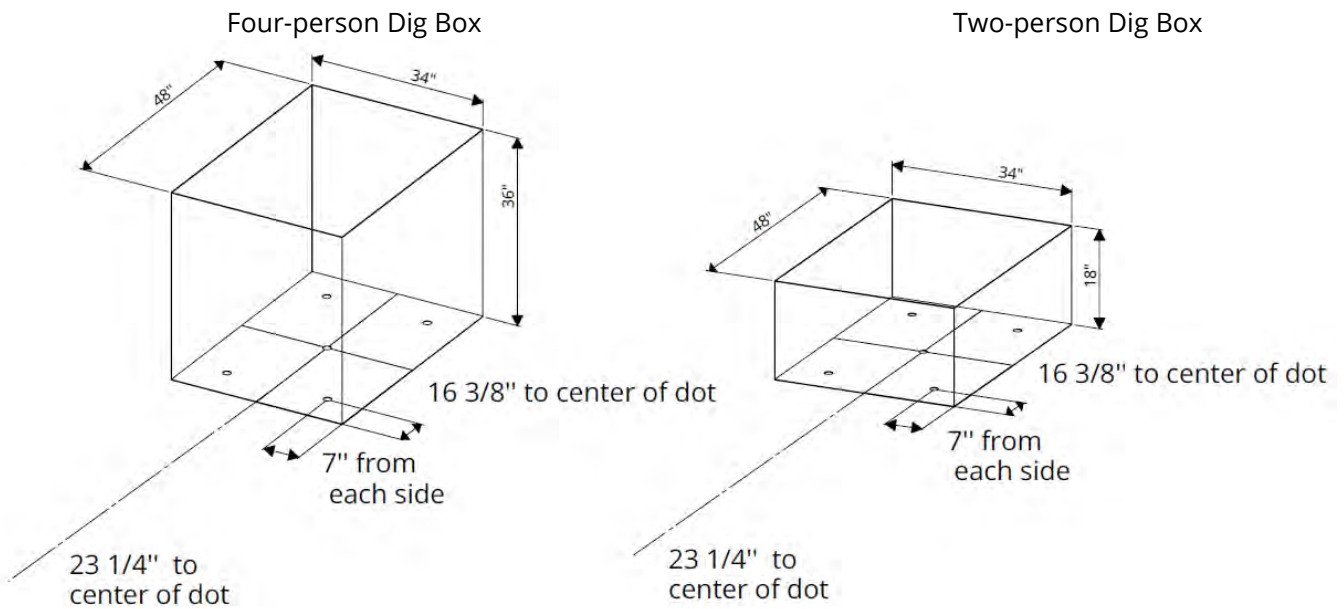
Supplied Parts & Tools

- N/A

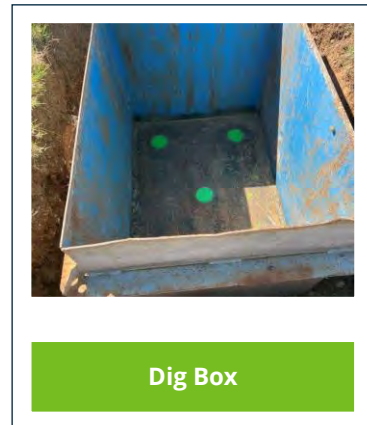
Event Diagram(s)

Both boxes:

- All corner dots are 7" from the sides of the box
- Each dot is 4" in diameter and all measurements are to the center



Event Photo(s)





Relay | Overview

Event Judge Contact Info

Mike Nussbaum | 719.491.1972

rodeo@MEAenergy.org

Event Description

The final event of the competition is the Rodeo Relay; a sequence of six events. A team member carries a baton from each station to the next; the baton must be placed in the designated area before starting the station event. The team will choose the number of team members participating in any individual event. Safety attire must be worn during the entire Relay, including full-finger safety gloves (not nitrile or latex).

Rank in Qualifying Events determines draw for rotation order in Relay. Team captain will draw chip indicating when their team will compete in the Relay.

Baton (only) must be in designated area for all Relay station events. Runner does not have to be in designated area, just outside all safety zones.

Failure to complete each station in the Relay will result in the competing team receiving a time equal to the slowest team's Relay time plus 30 seconds.

The backhoe event will be the Blind Egg Pickup.

The mini excavator event will be Drop in The Bucket.

Relay for Two-person Teams

Two-person teams will not compete in the Squeeze Off. Relay event sequence for two-person teams will be Truck and Trailer to Backhoe to Excavator to Regulator Bypass to Water Cooler.



Relay Station 1 | Truck and Trailer Back-Up

Event Judge Contact Info

John Bishop | 864.918.5359

Tyler Millburg | 217.825.3164 [backup Event Judge]

rodeo@MEAenergy.org

Event Description

A truck and trailer will be maneuvered and backed into an alley of cones. The centerline of the cones are placed approximately 9' 6" apart. The trailer must touch an additional cone placed in the center of the alley, without knocking it over and without knocking off the golf ball. The truck's air brakes must be set before contestants can advance the baton to Station #2. Operator must have commercial driver's license or permit. The event will start at the whistle.

All drivers' CDLs or permits will be confirmed at onsite registration.

The truck will likely have an automatic transmission.

The air brakes must be set before the baton can advance. The truck must be off before the truck driver can get out.

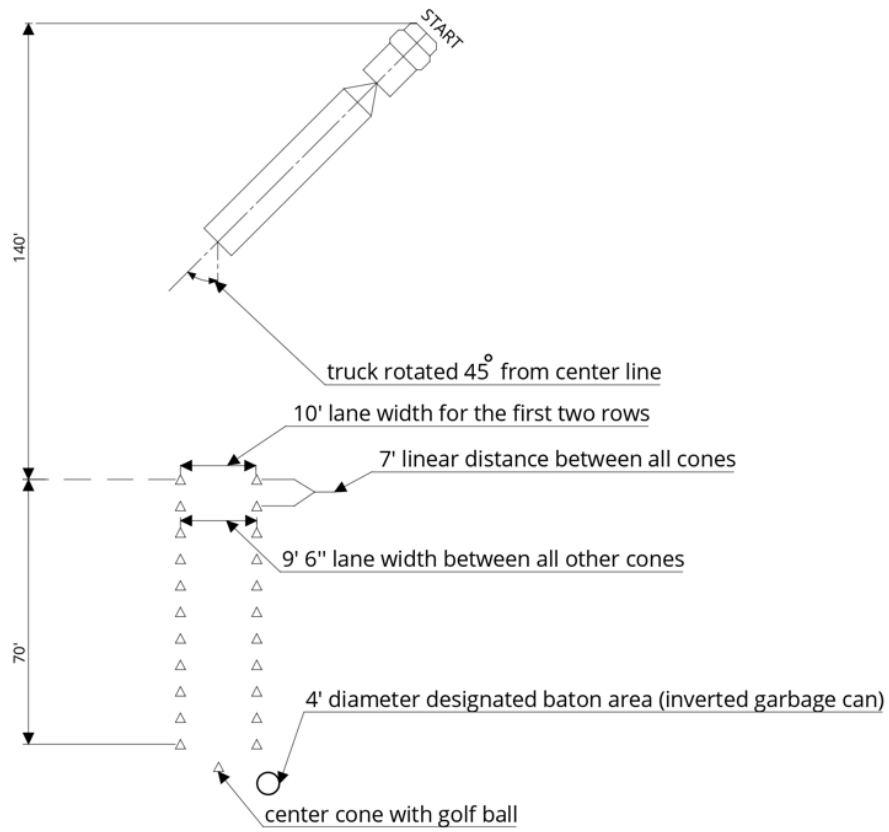
Penalties

There will be a 10-second penalty per infraction (except where noted) for any of the following:

- No hard hat or if hard hat falls off
- No full-finger safety gloves (per person) or the use of nitrile or latex gloves
- No eye protection or eye protection falls off
- Any cone knocked over (10-second penalty per cone)
- Baton must remain in designated area until center cone is touched
- Baton is not advanced
- Runner deviates from course layout (10-second penalty per infraction)
- Trailer doesn't remain in contact with the center cone (30-second penalty)
- Golf ball falls from center cone (30-second penalty)
- No spotter (30-second penalty)
- Driver exits truck without setting air brakes (30-second penalty)
- Driver exits truck without shutting off truck (30-second penalty)
- Spotter not wearing safety vest (30-second penalty)
- Seat belts not used or used improperly (3-minute penalty)
- Failure to negotiate entire course will result in automatic disqualification

Event Diagram(s)

- Truck rotated approximately 45 degrees from center line
- Total approximate length is 210' start to finish (subject to change depending on available area)
- 3'x3' box with an inverted garbage can at rear end of the back on passenger side. The baton will be on top of the inverted garbage can. Box 12' from the center of lane



Event Photo(s)



Truck & Trailer



Back Up Lane



Truck & Trailer



Relay Station 2 | Backhoe Event: Blind Egg Pick Up

Event Judge Contact Info

Mike Chitwood | 704.564.1664

Carlos Deleon | 720.323.8233 [backup Event Judge]

rodeo@MEAenergy.org

Event Description

Once the baton has been advanced to the designated area, the operator will attempt to pick up an egg with a solid stainless steel serving spoon attached to the backhoe bucket. The runner can leave the designated area, but the baton must remain completely inside the designated area until completion of event. There will be a blind structure placed in front of the eggs where the operator cannot see them. The operator must rely solely on his team member to guide him in picking up the eggs; team members including the operator cannot touch the blind. Once the egg pick-up has been made, the egg is to be placed in an 8-inch weld cap. Then the operator must return the backhoe bucket to the designated safety area and then runner can advance the baton to Station #3. The backhoe may be started at any time prior to the start of that teams heat. A broken egg cannot be put into the weld cap (broken is defined as cracked or in pieces and leaking fluid). The whole egg must be inside the weld cap.

There will be three sand piles: two with eggs and one with the 8-inch weld cap. In the event an egg is missed, dropped, or rolled off the sand, the operator can try for the second egg. If operator misses both eggs, the operator must return bucket to safe area. One team member may enter the safety zone to reset their team's eggs. After resetting of eggs, team member must return outside the danger zone before operator can try again. In the event the blind is knocked over, operator places bucket in safe area and event judge will reset blind. Operators will have two minutes to complete this course and the event captain will blow a whistle after time expires. The bucket must be returned to the starting position **(on the ground with teeth in the upright position)** and the baton advanced to Station #3. The team then moves to the next station in the relay. Only the Judge can set blind, manipulate sand piles, and set eggs prior to the start of the event (note: egg is placed horizontally). One team member may assist the operator with verbal or hand signals. He/she can leave the designated area but must not cross the vertical plane with any body part of the danger zone, baton must remain in the designated area.

Backhoe spoon will be a solid stainless steel serving spoon ([similar to this](#)) and will be attached to the bottom outside left tooth of the backhoe bucket and cannot be changed.

Backhoe used is dependent upon availability. It is our intent to use Caterpillar equipment.

The team's operator is responsible for switching the hydraulics prior to the start of their heat. Right before the team's heat, operator is allowed 15 seconds to enter the equipment to adjust the idle and hydraulics.

Penalties

There will be a 10-second penalty per infraction (except where noted) for any of the following:

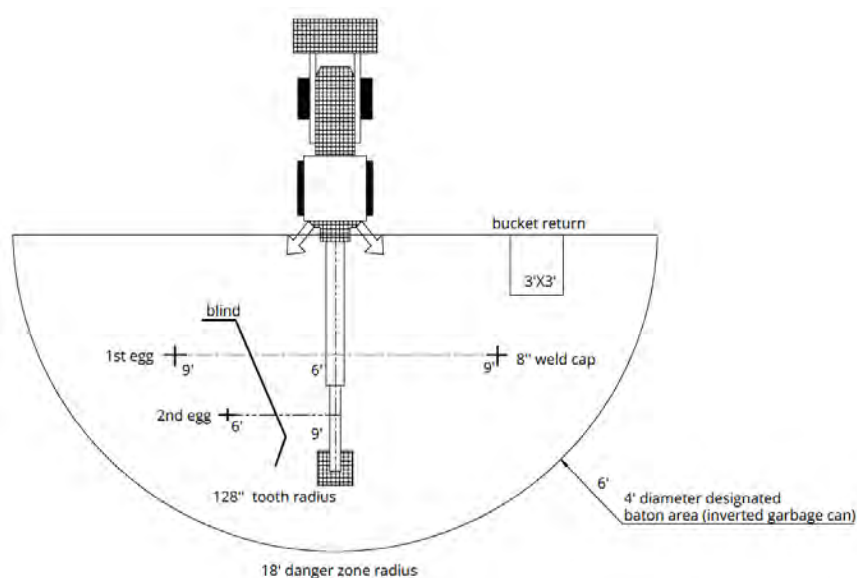
- No hard hat or hard hat falls off
- No full-finger safety gloves (per person) or the use of nitrile or latex gloves
- No eye protection or eye protection falls off



- Operator not shutting off equipment prior to exiting
- Team member(s) entering the indicated danger zone, or any body parts breaking the vertical plane of the danger zone
- Not returning backhoe bucket to the designated safety area
- Baton is not advanced or leaves designated area prior to bucket being placed in designated safety area
- Bucket not returned to center start location or not on the ground
- Bucket teeth are not turned up prior to touch-down
- Runner advancing baton from station #1 moves baton out of designated area before operator operates equipment; if baton from station #1 is not in the designated area before operator operates equipment
- During egg reset: more than one person in the danger zone (10 seconds per infraction)
- Slamming bucket and/or breaking spoon (30-second penalty)
- Bucket teeth in pavement (30-second penalty)
- Knocking over or damaging the blind (30-second penalty)

Event Diagram(s)

- Sand piles are to be:
 - Height: 14" – 18"
 - Width – 18" – 24"
- Backhoe:
 - Bucket width: 24"
- 4' x 8' plywood with two 4' wings for blind
- Designated baton area 6' from danger zone





Event Photo(s)



Backhoe & Blind Set Up



Bucket



Egg Pick Up Location



Relay Station 3 | Pipe Squeeze (Four-person Teams Only)

Event Judge Contact Info

Clif McGee | 734.489.4953 – Devon as co-judge
Cole Taggart | 785.458.9722 [backup Event Judge]
rodeo@MEAenergy.org

Event Description

This event involves a squeeze off of 2-inch plastic pipe. The pipe will be pressurized to approximately 40 psig. The pipe will be a 2-way feed. This event will require the installation of 2 mechanical squeeze tools. The squeeze tools will be positioned in front of the area of the squeeze and will be open prior to the start of the event. The area for each team to squeeze will be identified in a designated area.

To determine that the pipe is sufficiently squeezed, a section of clear PVC pipe is installed on a tee at the center of the event. Inside the pipe is a foam pig. The pig will rise to the top of the clear pipe when the system is pressurized. When the squeeze tools are installed, the pig will drop to the bottom of the clear pipe. Once the pig has dropped to the bottom of the clear pipe, the baton may be advanced to the next station. NOTE: The baton must be placed inside the designated area to start the event. Note: the pin is removed and not utilized.

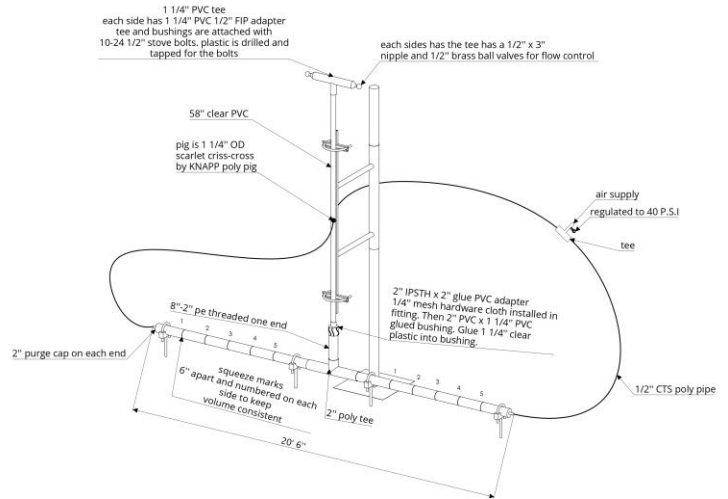
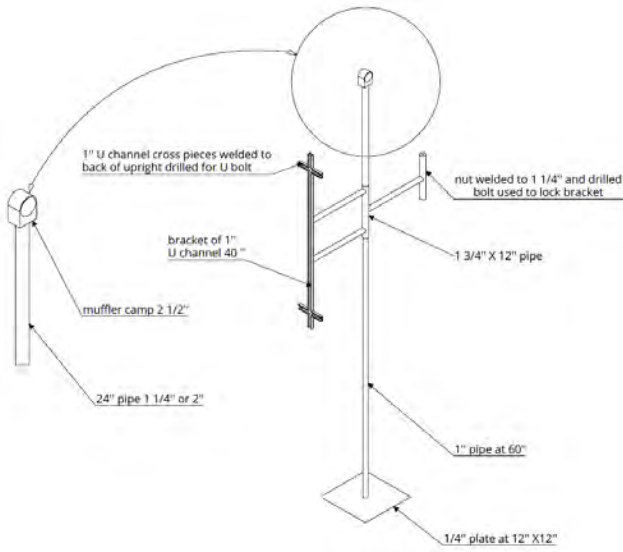
Penalties

There will be a 10-second penalty per infraction (except where noted) for any of the following:

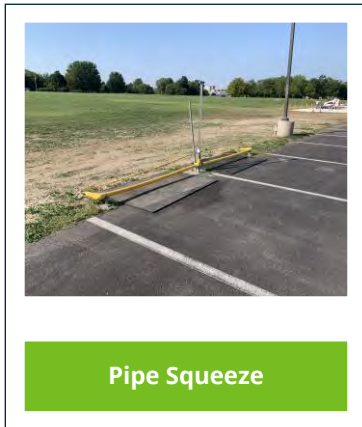
- No hard hat or if hard hat falls off
- No full-finger safety gloves (per person) or the use of nitrile or latex gloves
- No eye protection or eye protection falls off
- Failure to install squeeze tools in designated area for your team
- Picking up baton prior to pig dropping
- Baton is not placed in designated area
- Baton is not advanced
- Handling of squeeze off tools before baton is in designated area
- Squeeze tool not set to the proper size (2-inch)



Event Diagram(s)



Event Photo(s)





Relay Station 4 | Mini Excavator: Drop in the Bucket

Event Judge Contact Info

Mike Chitwood | 704.564.1664

Carlos Deleon | 720.323.8233 [backup Event Judge]

rodeo@MEAenergy.org

Event Description

The Drop in the Bucket will use three (3) containers for the balls. Each container will be specific to one of the balls (softball – 5-gallon bucket, soccer ball – 32-gallon garbage can, and football – 44-gallon garbage can).

Once the baton is in the designated area, the operator will attempt to transfer three balls with a mini-excavator bucket and deposit each of them in a specific container.

With the mini-excavator bucket placed in the starting position, bucket on the ground. The operator will use the bucket to individually pick up 3 different size balls, and deposit them in three different containers. The balls will be set at different heights and distances from the mini excavator. The operator will transfer each ball individually and maneuver them through the course and deposit each ball in its designated container. The operator must deposit all three balls in the appropriate container. The balls must be placed (not bounced) inside the container, all balls must remain inside the appropriate container. Operators will have two minutes to complete this course and the Event Captain will blow a whistle after time expires. The bucket must be returned to the starting position, and the baton advanced to the next station.

All balls must be picked up with the front of the bucket, each ball must roll over the teeth of the bucket. Once all three balls are successfully deposited, the operator must return the excavator bucket to the starting position, with the bucket resting on the ground, with the teeth in the up position. Once this is completed, the baton can then be advanced to station #5. The excavator may be started at any time prior to the start of that teams heat.

If a ball is missed, the operator may try for the next ball. Should the operator drop or miss one or more of the balls, the excavator bucket must be returned to the starting position with it resting on the ground (teeth up). The runner may then reset the items missed by the operator. After the items are reset, the runner must return to outside the danger zone before the operator can continue. No penalty will be assessed if the container needs to be moved to retrieve the ball and the container is reset properly in designated area. If damages occur to any of the items, and the team cannot complete the course due to the damages, the judge will blow a whistle indicating the end of the event and that team will be penalized 3 minutes, operator will then return bucket to safe area. The team can then proceed to the next station.

Only the Judges are allowed to set the balls prior to the start of the event.

The excavator used is dependent upon availability. It is our intent to use Caterpillar equipment (similar to the John Deere model 35G excavator).



The team's operator is responsible for switching the hydraulics prior to the start of their heat. Right before the team's heat, operator is allowed 15 seconds to enter the equipment to adjust the idle and hydraulics.

Penalties

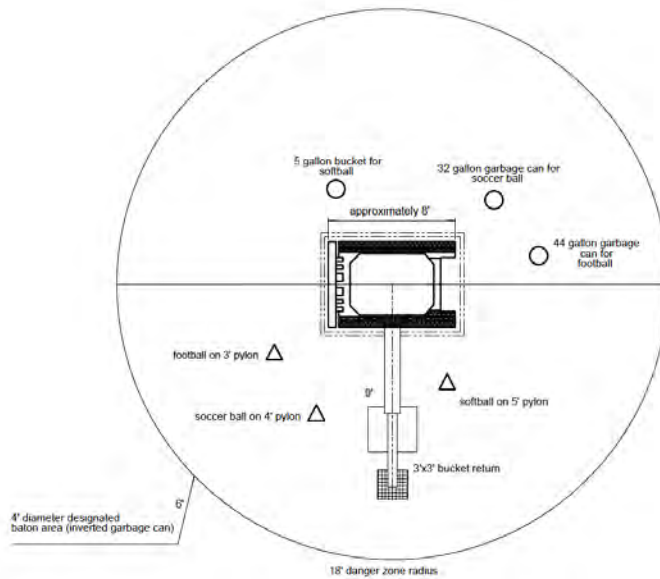
There will be a 10-second penalty per infraction (except where noted) for any of the following:

- No hard hat or hard hat falls off
- No full-finger safety gloves (per person) or the use of nitrile or latex gloves
- No eye protection or eye protection falls off
- Operator not shutting off equipment prior to exiting the excavator
- Team member(s) entering indicated danger zone, or body part breaking the vertical plane of the danger zone. Only exception to this rule: operator gaining entry or exiting equipment.
- Baton is not advanced or leaves designated area prior to bucket being placed in designated safety area
- Bucket teeth not in the "up" position prior to touchdown
- Bucket not in the bucket return area prior to team member exiting participant area
- Baton not in the designated area before the operator moves the equipment
- During ball reset: more than one person in the danger zone (per infraction)
- Operator bumping the pylon, stand or ball; reasonable effort must be made to pick up balls with the front of the bucket
- Any pylon, stands, or container damaged or knocked over by equipment (20-second penalty)
- Slamming bucket and/or bucket teeth on pavement (30-second penalty)

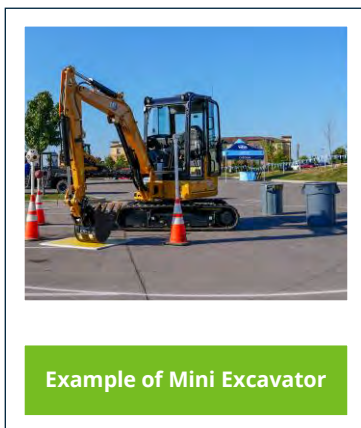


Event Diagram(s)

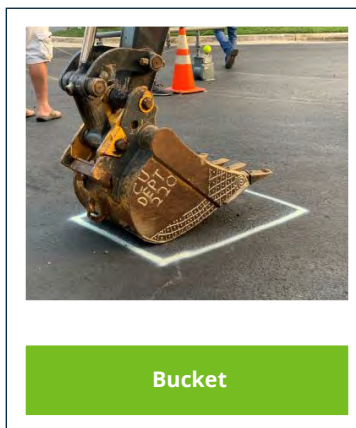
- All grid lines are on 30 degrees from the center pivot pin of excavator
- Excavator:
 - Bucket width: 18"
- Pylon heights for balls (approximate):
 - Soccer ball: 4'
 - Football: 3' (horizontal on the cone, perpendicular to the machine with laces facing upright)
 - Softball: 5'
- Designated baton area 6' from danger zone



Event Photo(s)



Example of Mini Excavator



Bucket



Relay Station 5 | Regulator Bypass

Event Judge Contact Info

Harry Mitchell | 559.770.1900

Brian Biehl | 417.207.5841 [backup Event Judge]

rodeo@MEAenergy.org

Event Description

Team members must connect the bypass hose to the union connections on the simulated regulator station. The hose is approximately 36 inches long with threaded unions on each end. There will be two 14" pipe wrenches provided that are in the closed position and hanging from hooks. At the start of the event the top valves will be open and bottom valves will be closed.

When the hose has been connected and tightened the valves must be opened and closed in the proper sequence. Proper sequence is both bottom valves must be opened prior to closing top valves. Both bottom valves must be completely open before wrenches can touch the top valves. When the Regulator Station work has been completed, the wrenches must be placed on the hooks provided. The baton can now be advanced to Station #6.

NOTE: The baton must be placed inside of the designated area to start the event.

NOTE: Valves must be opened and closed by wrenches provided.

Penalties

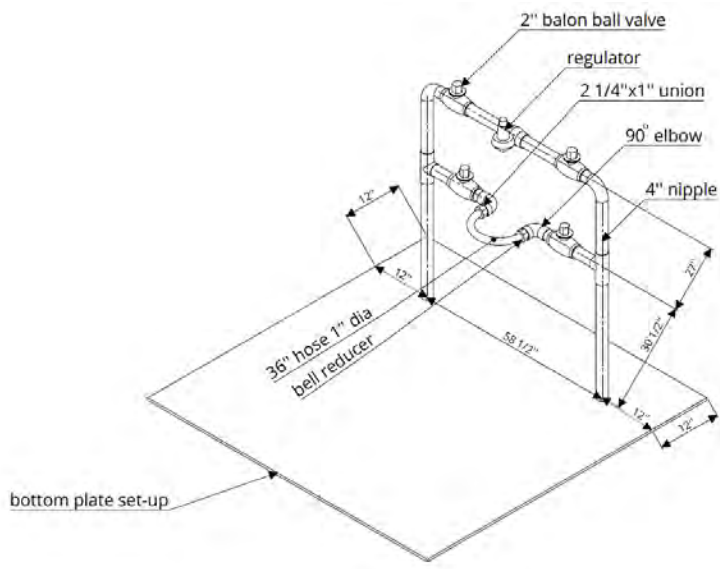
There will be a 10-second penalty per infraction (except where noted) for any of the following:

- No hard hat or if hard hat falls off
- No full-finger safety gloves (per person) or the use of nitrile or latex gloves
- No eye protection or eye protection falls off
- Valves opened or closed prior to installing bypass hose
- Hose union threads not run all the way down and hand tight
- Baton leaving the designated area prior to valves being fully operated and wrenches on hooks
- Baton is not placed in designated area
- Baton is not advanced
- Touching valves prior to bypass hose installed
- Wrenches not placed on hooks (penalty per wrench)
- Valve not opened or closed in the proper sequence (per valve)
- Touching top valves prior to both bottom valves being completely open (per wrench)

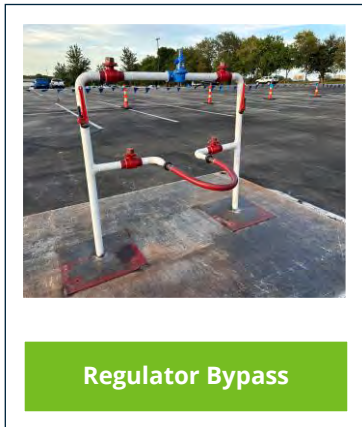


Event Diagram(s)

- All valves are to be 2" balon ball valves
- Designated baton area 6' from center of station



Event Photo(s)



Relay Station 6 | Water Cooler

Event Judge Contact Info

Lorenzo Longoria | 720.908.0190

Marcus Montoya | 210.232.6278

[backup Event Judge]

rodeo@MEAenergy.org

Event Description

This is the last stop in the relay. Each team member must empty a plastic cup filled with water, which has been placed on the water cooler table. The cup must be picked up and emptied using only the mouth. After emptying the cup, team members are free to use their hands to throw the cups in the trash. As soon as all team members have disposed of their cups (they must be completely in the garbage can and time will stop. . Time will not stop if all cups are not in the garbage can and/or if the baton is not in the designated area.

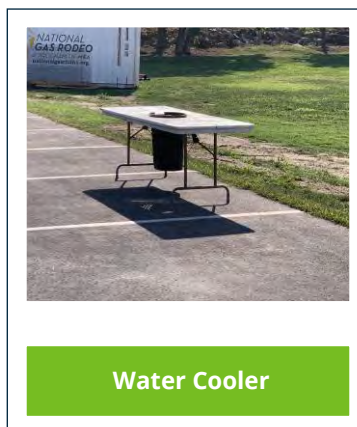
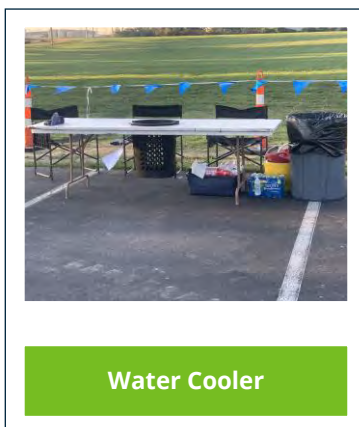
Team members cannot start touching their cups until the baton has been placed in the trash can and all four team members are present.

Penalties

There will be a 10-second penalty per infraction (except where noted) for any of the following:

- No hard hat or if hard hat falls off
- No full-finger safety gloves (per person) or the use of nitrile or latex gloves
- No eye protection or eye protection falls off
- Using hands before the cup is completely empty
- Baton is not placed in designated area
- Knocking table over
- Knocking cup over (per cup infraction)
- Touching cups prior to all members present and baton in designated area (per infraction) Event not completed (slowest time + 20-second penalty). Completing event defined as the baton first in trash can and then all cups in trash can.

Event Photo(s)





General Information

Two-person Teams

The two-person competition is very similar to the four-person competition, with exceptions noted in the Hand Dig and Relay event descriptions/rules.

Notes regarding two-person teams:

- Companies may enter both four-person and two-person teams or just one or the other
- Members of a four-person team may not be members of a two-person team
- Two-person teams will compete against other two-person teams
- An individual identified as an “Alternate” may be an alternate for both a four-person team and a two-person team

All Teams

General Rodeo Rules

The Rodeo events and/or rules of the events may be changed or modified by the National Gas Rodeo Committee at any time without previous notice. Whistles and air-horns are used by judges and event timers; therefore, no whistles or air-horns may be used by teams or guests.

Enforcement of rules and regulations will be the responsibility of the Rodeo officials. The Head Judge's decisions are final. If a team is not ready for their event, they will be disqualified from that event.

No individuals other than competing team members, judges, and timekeepers are allowed inside the event area during a competition. An exception may be made for NGR-designated photographers/videographers. All others, including alternates, coaches, guests, and photographers/videographers not sanctioned by the National Gas Rodeo are required to stay outside the cordoned event area.

Participation in the Qualifying Events and the Relay

All teams participate in Qualifying Events and the top four-person teams and top two-person teams from the qualifying events participate in the relay. The top 10 four-person teams and top 10 two-person teams will move on to the relay.

CDL License

At least one of the team members must have a valid CDL license or permit. Team members will be asked to show this license/permit at registration.

Safety Attire

Individuals are responsible for their own personal protective equipment and for wearing all safety attire. Safety attire includes a hard hat, safety glasses, full-finger safety gloves (not nitrile or latex), and safety work boots (no athletic shoes) for all events. You will not be allowed to compete if you are not wearing proper safety attire for every event.

Sportsmanship

All competitors should conduct themselves as professionals. Use of vulgar language will result in a 10 second penalty. Poor sportsmanship will result in a 30 second penalty. Gross unsportsman-like behavior will



result in disqualification. Definitions of “vulgar language” and “poor sportsmanship” are at the discretion of the Head Judge. Decisions of the Head Judge are final.

Protests

Only a team captain can protest a decision. All protests must be stated prior to signing the scorecard sheet. Decisions of an Event Judge may be appealed to the Head Judge. If the team involved is from the Head Judge's company, the Head Judge will recuse himself and the decision will be that of the Assistant Head Judge. All protests from the qualifying events must be resolved prior to the start of the relay.

Head Judge or Assistant Head Judge may cease discussion on a complaint or protest at any time. Excessive arguing may be subject to unsportsmanlike conduct penalty.

Decisions of the Head Judge (or Assistant Head Judge, as noted above) are final.

The National Gas Rodeo will not review video, photos, or non-NGR timekeeping devices in their determinations.

Team Names

Team names are used for reporting all event results and the winners. To prevent confusion, we require that all teams have unique names. We encourage creative team names but require team names not have sexual or otherwise inappropriate connotations.

Inclement Weather

In case of inclement weather during the Rodeo, the Rodeo Committee will meet to discuss options. In the event of rain, if three or more events have been completed, points will be totaled, and winners will be announced. Safety will be of utmost importance in the decision.

Alternates

All teams are encouraged, but not required, to provide one alternate participant. The alternate is in addition to the four competing team members.

An alternate may substitute in at any point during the event for any reason; however, once they enter, they must remain for the duration of that event. If the substitution is due to injury, the alternate may enter at the beginning of the next event. Injured participants may not return to the competition.

All substitutions must be approved by the Head Judge prior to participation. Teams must report to the Head Judge to request and document any substitution, including which participant is being replaced and the time of substitution. A record will be maintained of all teams utilizing alternates.

Teams will be issued wristbands for the four primary participants, with a separate, clearly distinguishable color designated for alternates. Alternates will not receive a wristband unless they are officially substituted in. When an alternate replaces a participant, the Head Judge will remove (cut off) the exiting participant's wristband and issue the alternate wristband after approval. Wristbands should be initialed by a judge to confirm approval.



Event Head Judges are responsible for verifying wristband colors and coordinating with the Overall Head Judge as needed. No alternate may participate without being officially checked in and approved by the Head Judge.

An alternate may be utilized by any team associated with a parent company. For example, if utility X sends 3 teams and identifies 1 alternate, that alternate may be substituted into any of the 3 teams sent by utility X. Alternates not competing may be asked to assist at the Rodeo.

Trade Time

Thursday evening prior to the banquet is "Trade Time". Trade Time is a popular time for team members and guests to trade hats, shirts, belt buckles, hard hats, water bottles, beads, etc., which display their company logo. There is no limit on the number of items you can bring to trade/give away.

Registration and Meals

- Team fee includes Rodeo participation, reception and banquet on Thursday, and lunch and awards on Friday; **team fee includes team members & alternates.**
- Cancellations received up to ten working days before the event are refundable, minus a \$50 registration service charge. After that, cancellations are subject to the entire fee.

All team members (including alternates) should be familiar with the event descriptions, rules, drawings, and general information.